



Heating, Cooling and Indoor Air Quality Systems

ESP

Variable Speed Heat Pump



3 Ton
ESP-36



5 Ton
ESP-60

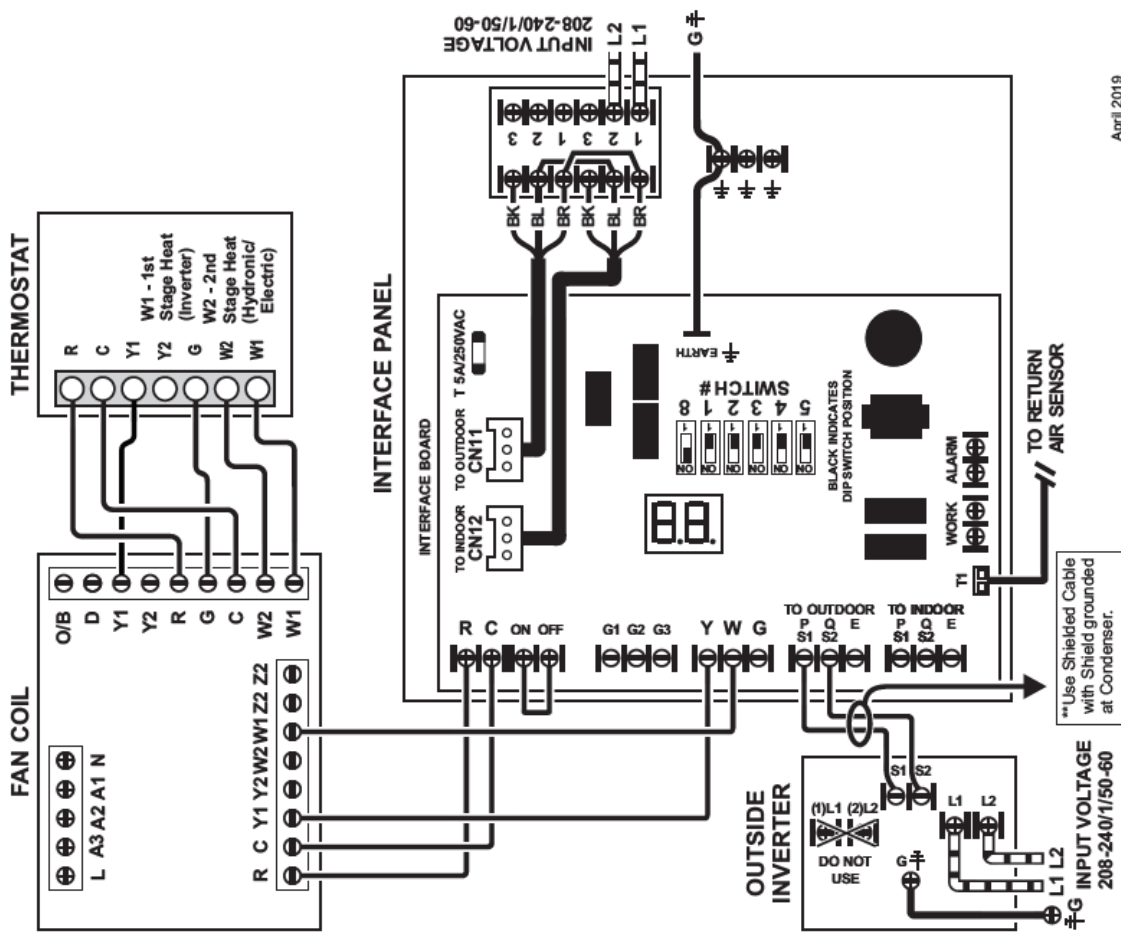
Installation and Operation

www.hi-velocity.com

ESP Variable Speed Heat Pump Specifications

System Model		
Model Number	ESP-36	ESP-60
Outdoor Unit Tonnage	3 Ton (10.5 kW)	5 Ton (17 kW)
Part Number	40180400003	40180400005
Capacity Data		
Nominal Cooling Capacity ^{1) 2)}	35,500 BTU (10.4 kW)	57,300 BTU (16.8 kW)
Operational Range (Cooling)	9,000-36,000 BTU (2.6 kW - 10.5 kW)	15,000-60,000 BTU (4.4 kW - 17.6 kW)
Nominal Heating Capacity ^{1) 2)}	38,200 BTU (11.2 kW)	60,400 BTU (17.7 kW)
Operational Range (Heating)	11,800-47,400 BTU (3.5 kW - 13.9 kW)	18,700-75,000 BTU (1.8 kW - 22 kW)
Highest Variable Airflow	1,800 CFM (850 L/s)	2,200 CFM (1,040 L/s)
Lowest Variable Airflow	400 CFM (190 L/s)	400 CFM (200 L/s)
Electrical Data		
Power Supply	208 - 240 Volts - 1 Phase - 50/60 Hz	
Nom. Full Load Amps	22	30
Min. Circuit Size (Amps)	35	36
Electrical Input Cooling (kW) ¹⁾	3.25	5.3
Electrical Input Heating (kW) ¹⁾	3.15	5.2
ACOP	3.5	3.38
Sound Pressure (dB) (A) @ 1m	62	63
Soft Starter	Variable Frequency	
Dimensions - Outdoor Unit		
Length	38" (965 mm)	37.5" (953mm)
Width	16.14" (410 mm)	16.25" (413 mm)
Height	32" (813 mm)	52.5" (13.4 mm)
Weight	155 lbs (70.3 kg)	269 lbs (122 kg)
NOTES: 1) Capacities are based on A.S.3823.12 2) Capacity modulation is extended by variable indoor airflow. Actual percentage loading will vary depending on application.		
DESIGN CONDITIONS: Cooling 35°C (95°F) DB Outdoor / 27°C (80°F) DB, 19°C (66°F) WB Air Entering Indoor Unit Heating 7°C (44°F) DB, 6°C (43°F) WB Outdoor/ 21°C (70°F) DB Air Entering Indoor Unit Nominal Operating Range -10°C (14°F) WB to 50°C (122°F) DB Sound pressure level is influenced by the surroundings, therefore it may vary upon location.		

Variable Speed Heat Pump Wiring



April 2019

Energy Saving Products Ltd, established in 1983, manufactures the Hi-Velocity Systems™ product line for residential, commercial and multi-family markets. Our facilities house Administration, Sales, Design, Manufacturing, as well as Research & Development complete with an in-house test lab. Energy Saving Products prides itself on Customer Service and provides design services and contractor support.

For all of your Heating, Cooling and Indoor Air Quality needs, the Hi-Velocity System is the right choice for you!

Hi-Velocity Systems

Small Duct Heating, Cooling and IAQ Systems

Build Smart, Breathe *Easy*

Hi-Velocity HE-Z Fan Coils, *Green* Technology



**Energy
Saving**
PRODUCTS LTD

Phone: 780-453-2093
Fax: 780-453-1932
Toll Free: 1-888-652-2219

www.hi-velocity.com